

SIDE

SLIDING DOORS

RESIDENCIAL



WWW.FLEXIDOOR.PT

 **Flexidoor**
AUTOMATIC DOORS MANUFACTURER



RECOGNIZED QUALITY

Flexidoor sectional doors fulfil all the European standards for safety requirements. All the safety components are an integral part of our door, giving our customers the guarantee that our products are designed to ensure safety and well-being.



TECHNICAL ASSISTANCE

Flexidoor has a specialized and skilled technical team which offers you all the necessary support since the planning up to the installation phase. This way, safety will be at your side during the time of work execution.



WELL-BEING IS ALWAYS ON OUR MIND!

Nowadays aesthetic appearance of our homes has a huge importance, even because it is fundamental that we feel good in what is, after all, our home. So we have at your disposal different types of sectional doors with the most varied settings so that you can always get what you want.



SIDE SLIDING DOOR

RECOGNIZED QUALITY

Flexidoor sectional doors fulfil all the safety requirements of the EN 13241-1:2003 standard.



Flexidoor considers the innovation a form of learning about the new ways of offering a better product to our customers. As well as the continuous efficiency gains demand with the objective of creating value for the entire organization and its partners.

Thus, the day by day R&D Department

work is filled with new challenges that we believe define who we are.

This is our identity.

This is our future.

SIDE SLIDING DOOR COMPOSITION



WHAT ARE THE ADVANTAGES OF A SIDE SLIDING DOOR?

ENTRANCE COMPLETELY FREE OF OBSTACLES EVEN WITH A LOW LINTEL.



01

Top track in galvanized steel And a roller system with 2 ball bearings rollers, equipped with an Anti-entrapment protection.



04

Pedestrian entrance due to an easy partial opening. Door can be partly opened for letting in pedestrians, eliminating the need of an Pass Door, enhancing the comfort of an passage without obstacles, which is an important attribute in daily use of your garage.



02

Side profile in aluminium in which a rubber seal is applied which ensures a greater tightness.



05

Simplicity of functioning with sliding opening. Perfectly adaptable to any type of garage with lack of space in new or existing buildings.



03

Bottom track in galvanized steel, which guides the panel, with fixing holes to the ground

NOTE

- Manufacture to the measure needed up to 5m of width x 2,5m of height.
- Corners only available with 90°.

REQUIRED INSTALLATION SETS AND TECHNICAL DIMENSIONS

- If the side wall of the opening (on the curve rail side), has a dimension greater than 700mm, the engine could be mounted in the lintel.
- If the two side walls have a dimension equal or smaller than 700mm, the engine must be mounted on the sidewall of the opening installation place.

INSTALLATION 1 / 2

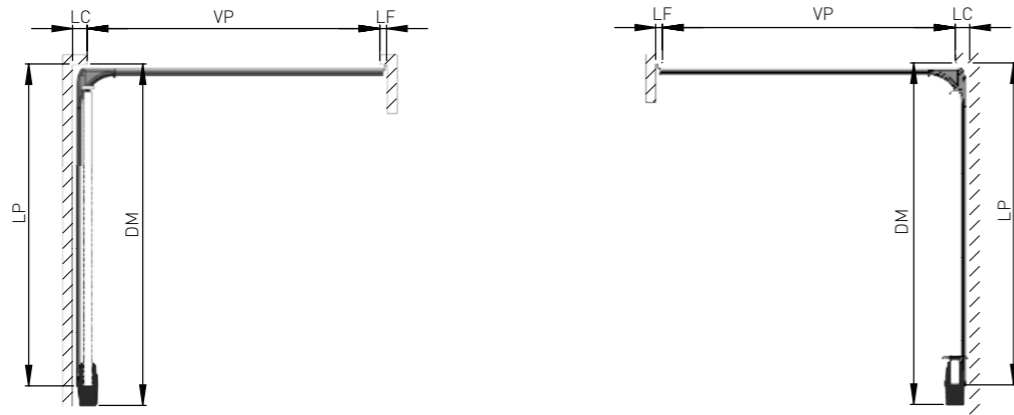
LC 150mm minimum
700mm maximum

LF 70mm

DM $V + 500\text{mm}$

DP $V + 300\text{mm}$

P 110/130mm minimum with engine



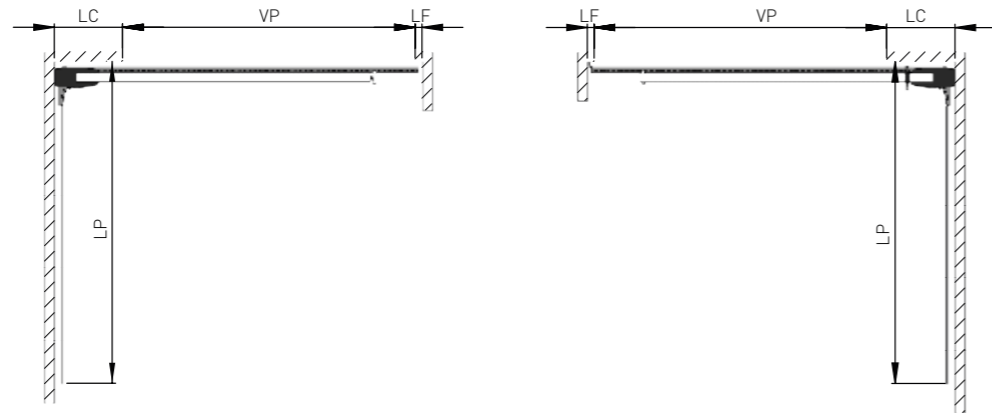
INSTALLATION 3 / 4

LC 700mm minimum

LF 70mm

DP $VP + 300\text{mm}$

P 110/130mm minimum with engine



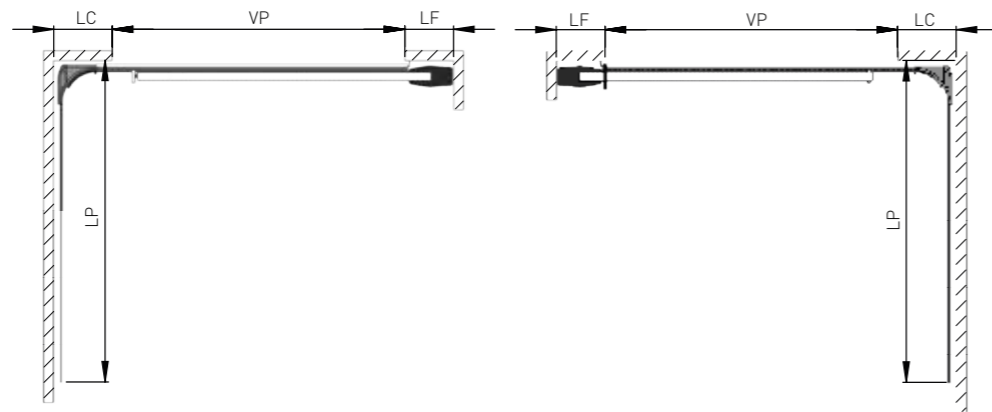
INSTALLATION 5 / 6

LC 600mm

LF 500mm

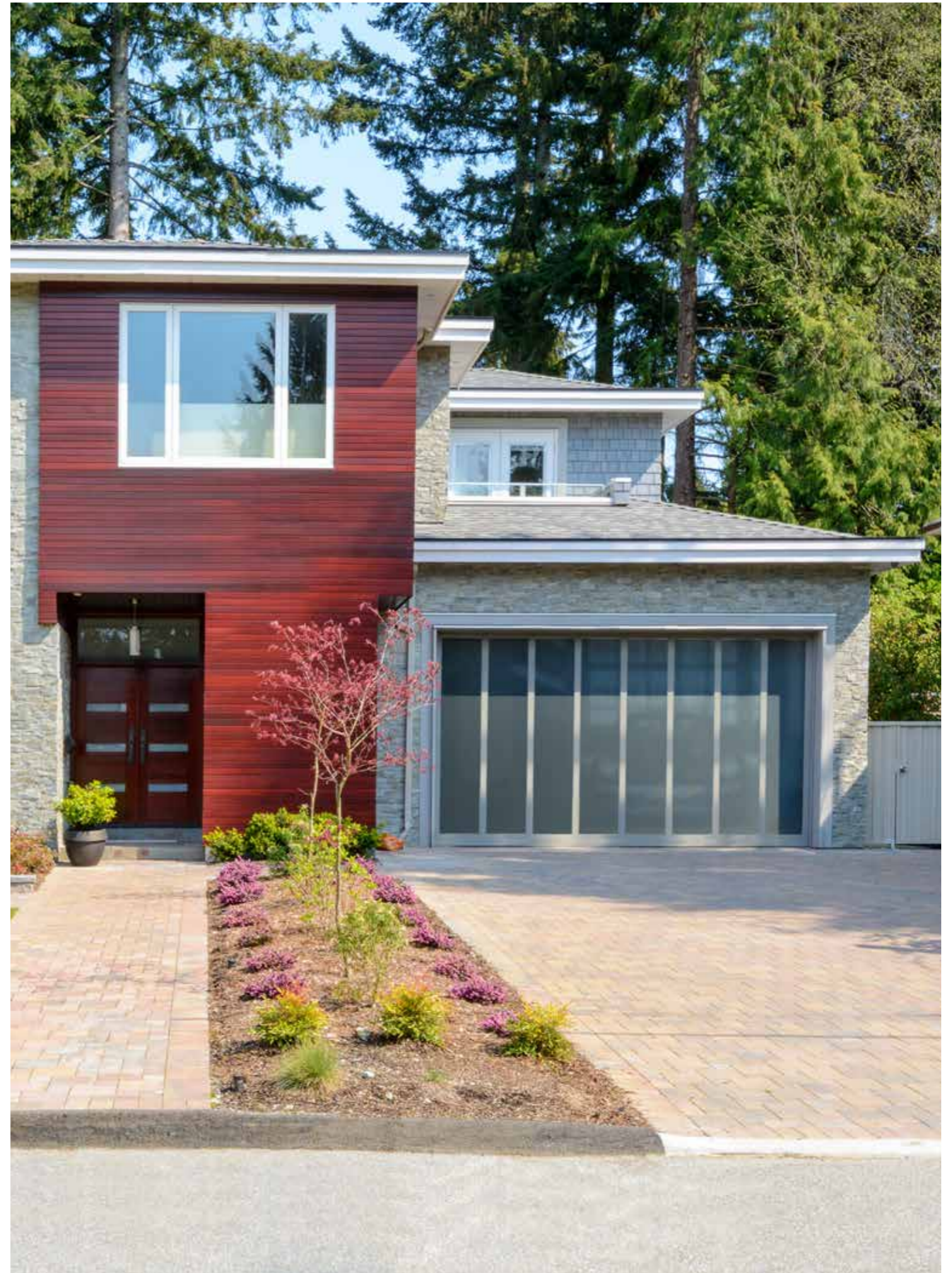
DP $VP + 300\text{mm}$

P 110/130mm minimum with engine



LEGEND

- **LC** - Lateral curve side
- **LF** - Lateral close side
- **VP** - Installation opening measure
- **DM** - Wall measure needed for engine
- **DP** - MWall measure needed for manual door
- **P** - Headroom

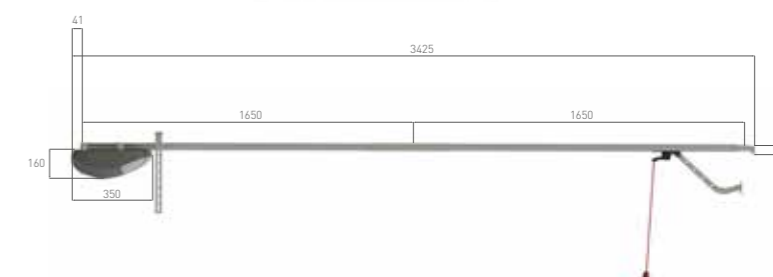


MOTOR FOR RESIDENTIAL DOORS

MOTOR FOR SECTIONAL AND UP-AND-OVER DOORS

LIKE IT is the latest innovation in home automation, with a range of solutions where high technology reigns. With different options in terms of power, the PRO delivers the performance of a motor

specially developed for the residential market, with easy programming functions, quality of conception and the elegance of a top design.



For doors with max. height of 2500mm

	PRO60	PRO80	PRO120
Power supply	230V 50Hz - 60Hz	230V 50Hz - 60Hz	230V 50Hz - 60Hz
Maximum door surface	8 m ²	12 m ²	16 m ²
Motor supply	24 Vdc	24 Vdc	24 Vdc
Power	100W	120W	150W
Decoding	Rolling Code	Rolling Code	Rolling Code
Working frequency	433,92 Mhz	433,92 Mhz	433,92 Mhz
Pulling force	600N	800N	1200N
Operating temperature	>-20°C, <+50°C	>-20°C, <+50°C	>-20°C, <+50°C
Protection level	30 IP	30 IP	30 IP
Speed	0,15 m/s	0,15 m/s	0,15 m/s
Duty cycle	45%	45%	45%
Relative humidity	≤ 90%	≤ 90%	≤ 90%
Courtesy light	LED	LED	LED
Motor dimensions	200x110x350 mm	200x110x350mm	200x110x350mm
Weight	3,5 kg	4,25kg	4,35kg
Command feed	Bat. CR 2016 3V (x2)	Bat. CR 2016 3V (x2)	Bat. CR 2016 3V (x2)
Door maximum height	2,5m*	2,5m*	2,5m*

*with the LKPRC12 part the maximum height is 3.5m

ACCESSORIES



DIGIWIRELESS

The selectors LIKE IT offers the DIGIWIRELESS, a digital wireless key selector with Rolling code 433.92 MHz technology that is easily fixed on a wall for a regular utilization.



FAST4

The new line of remote controls FAST4 are the perfect combination of factors like aesthetics, functionality and design, which added the elegance and versatility needed every day. The protective plastic, very resistant, ensures a perfect and lasting life.

FAST4	
Number of Channels	4
Encoding type	rolling-code
Transmission frequency	433,92MHz
Irradiated power	1mw
Encoding	64 bit
Maximum temperature	55°C
Capacity of signal	150-200m



VIS

The VIS photocell is an optical sensor with transmitter and receiver that work by infrared signal to detect the presence of obstacles, which function is to stop and reverse the door movement before it collide with a person or object in the area of operation.



FLASHING LIGHT

The beacon light is another component that Flexidoor provides as an option to be applied on its doors. Installing this component enables the signalization of the movements of our doors, functioning whenever they are closing or opening. As an alarm, it is undoubtedly a very efficient safety system allowing the pedestrian to easily check whether the door is in operation, avoiding possible accidents.



EXT2

The external receiver EXT2 have 2-channel rolling-code 433.92 MHz with 999 codes memory with plug-in for multiple applications.

WELL-BEING
IS ALWAYS
ON OUR MIND!





RUA DA MAJOEIRA, Nº 400
APARTADO 542
2415 - 184 REGUEIRA DE PONTES
LEIRIA • PORTUGAL

TEL. +351 244 850 470

FAX. +351 244 850 471

INFO@FLEXIDOOR.PT

WWW.FLEXIDOOR.PT

CATLAT.EN.01.18

DISTRIBUTOR

Cofinanciado por:



UNIÃO EUROPEIA
Fundo Europeu
de Desenvolvimento Regional